

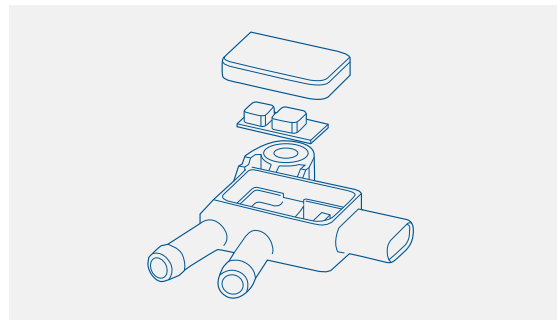
Differential pressure sensor

With different application possibilities in the vehicle



BOSCH
Invented for life

Demand-based differential pressure measurement



economical

Precise sensor measurement allows demand-controlled regeneration of the diesel particulate filter to save fuel.

precise

control of the low-pressure exhaust-gas recirculation rate

- ▶ The differential pressure sensor with piezoresistive sensor element monitors the differential pressure of the particle filter to provide information about its charge status.
- ▶ Consequently, the differential pressure sensor provides the foundation for a demand-based, fuel-efficient concept for particulate filter regeneration.
- ▶ Another differential pressure sensor for controlling the recirculated exhaust-gas mass is located in the low-pressure exhaust-gas recirculation circuit.
- ▶ The connectors and the housing of both variants can be adapted to the specific requirements of the vehicle manufacturer.